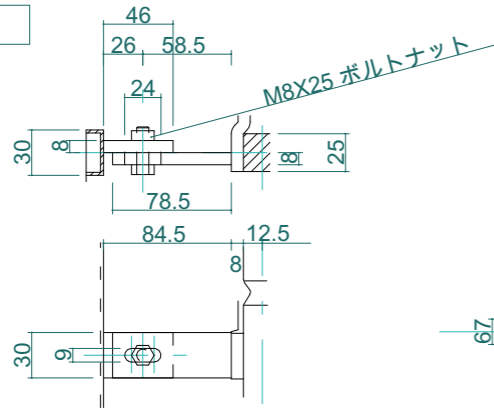
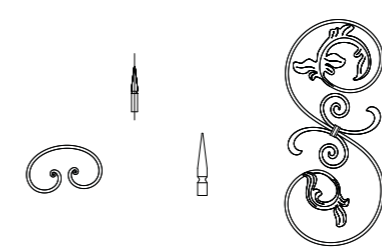
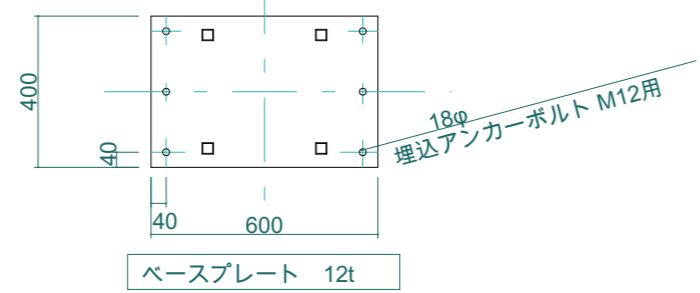
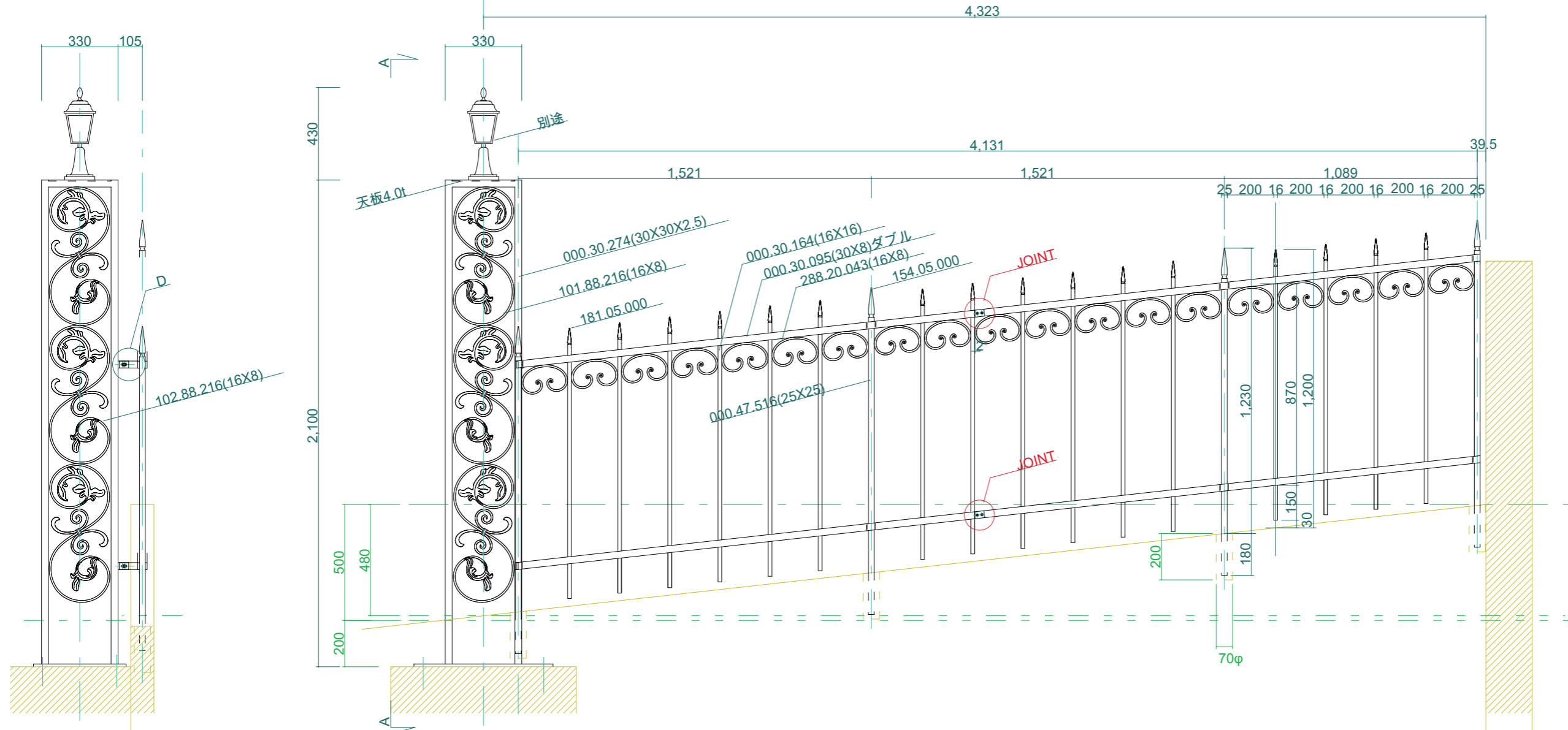
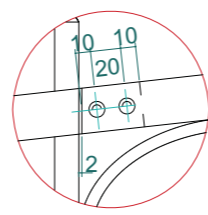
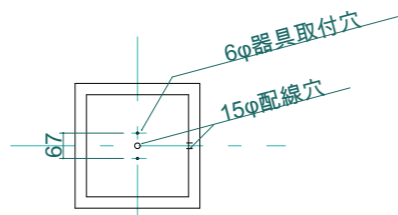
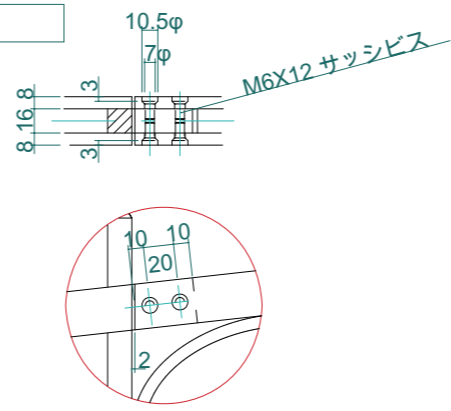


D 詳細 1:5



JOINT 詳細 1:5



No.	Title:		
View:	T	Subject: 左翼門柱・フェンス	
L	F	R	Scale(Size)= 1:20(A3R) _Date:_ _Sign: wtj
B	LECKY METAL ORNAMENTS JAPAN		