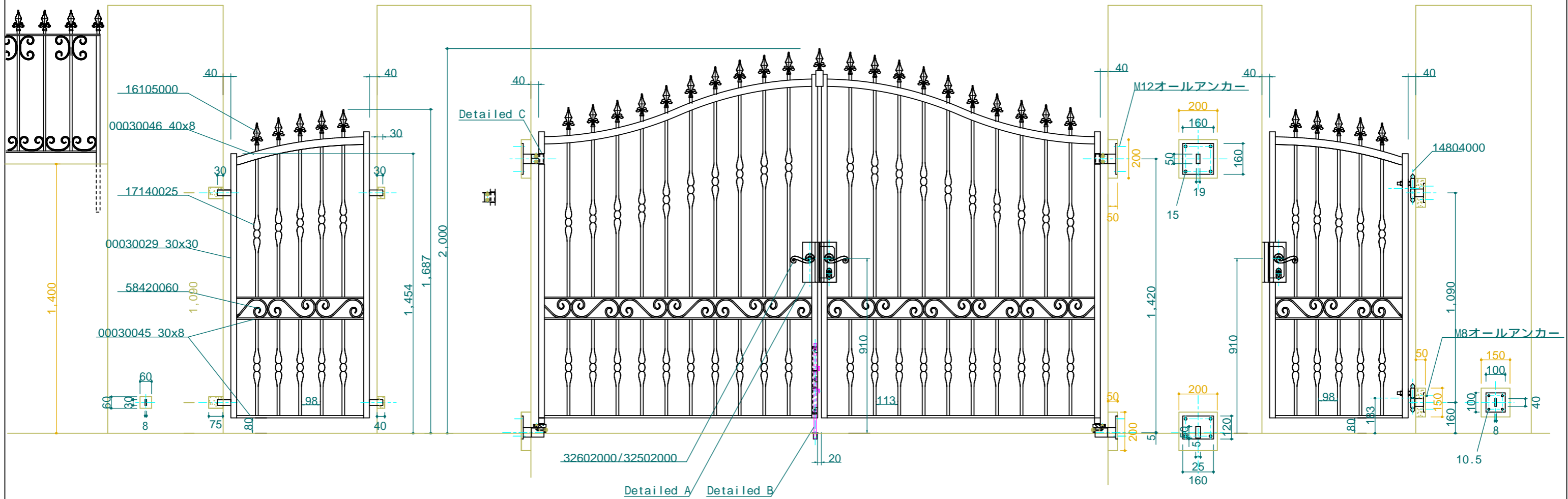
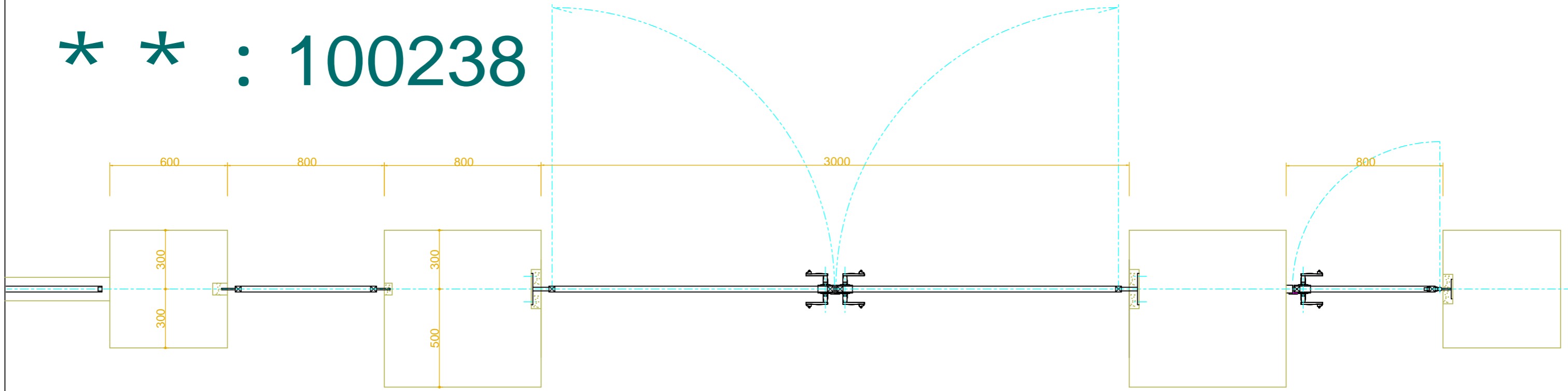


* * : 100238



No.1-0423-1		Title: _____	
View: T		Subject: 門扉まわり	
L	F	Scale(Size): 1:20(A3)	Date: _____
B	R	_____	Sign: w.f.j.
LECKY METAL ORNAMENTS JAPAN			